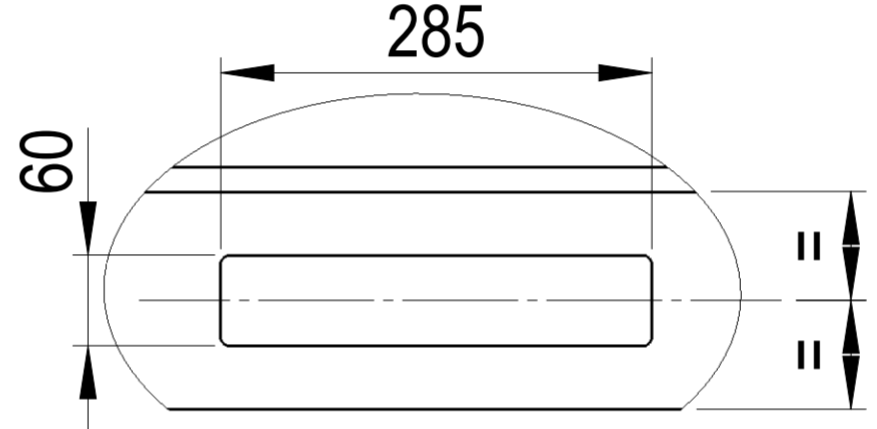
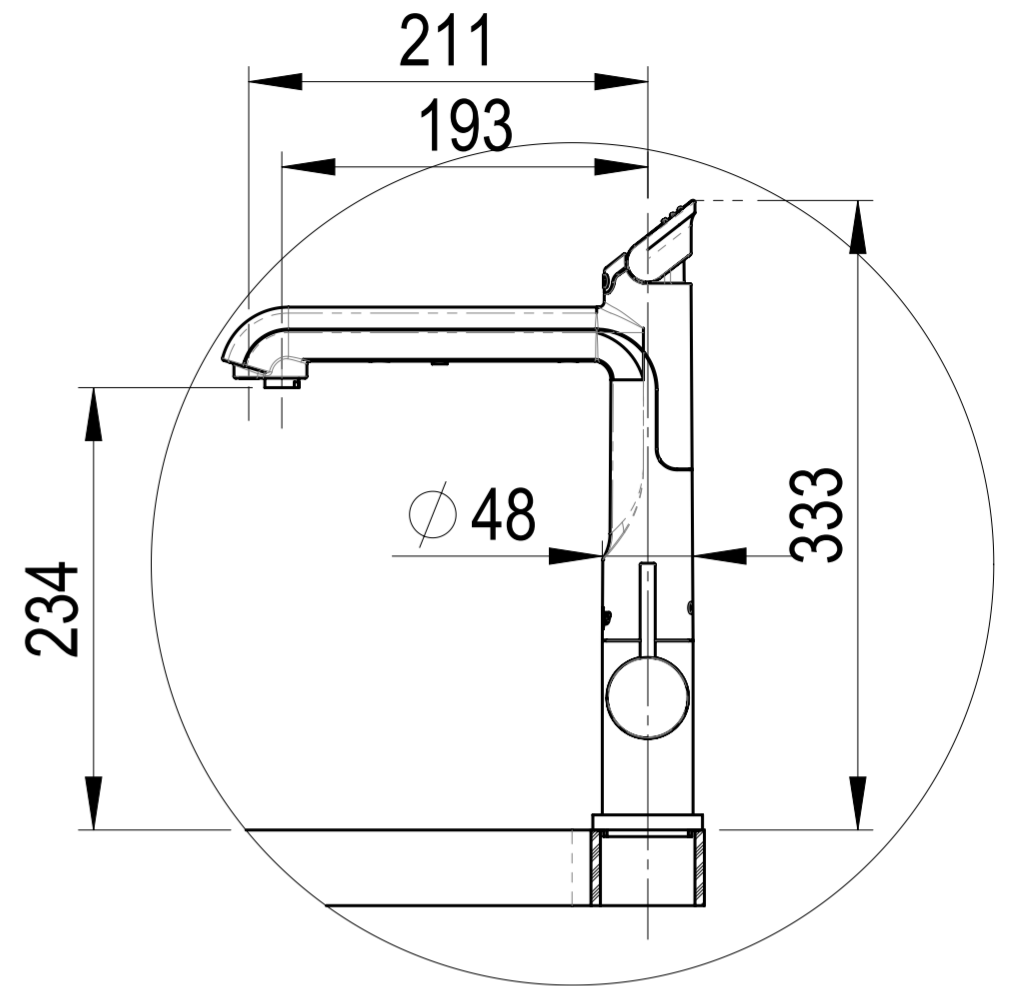
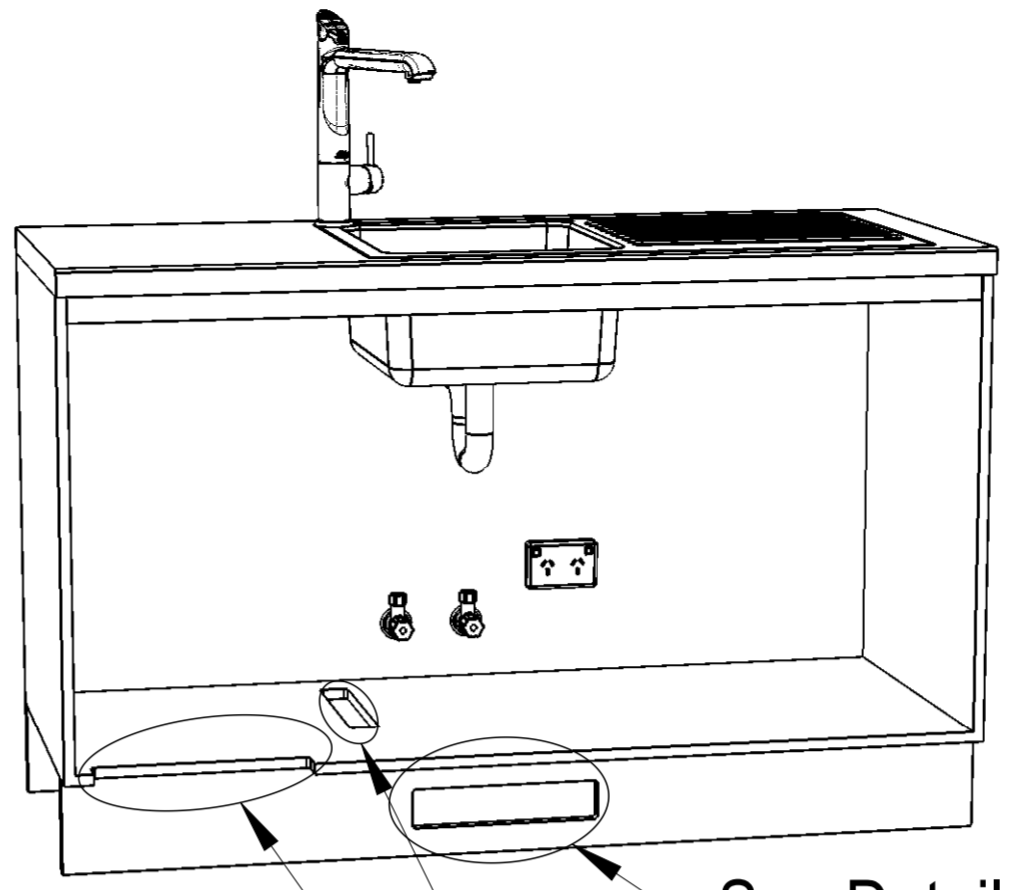
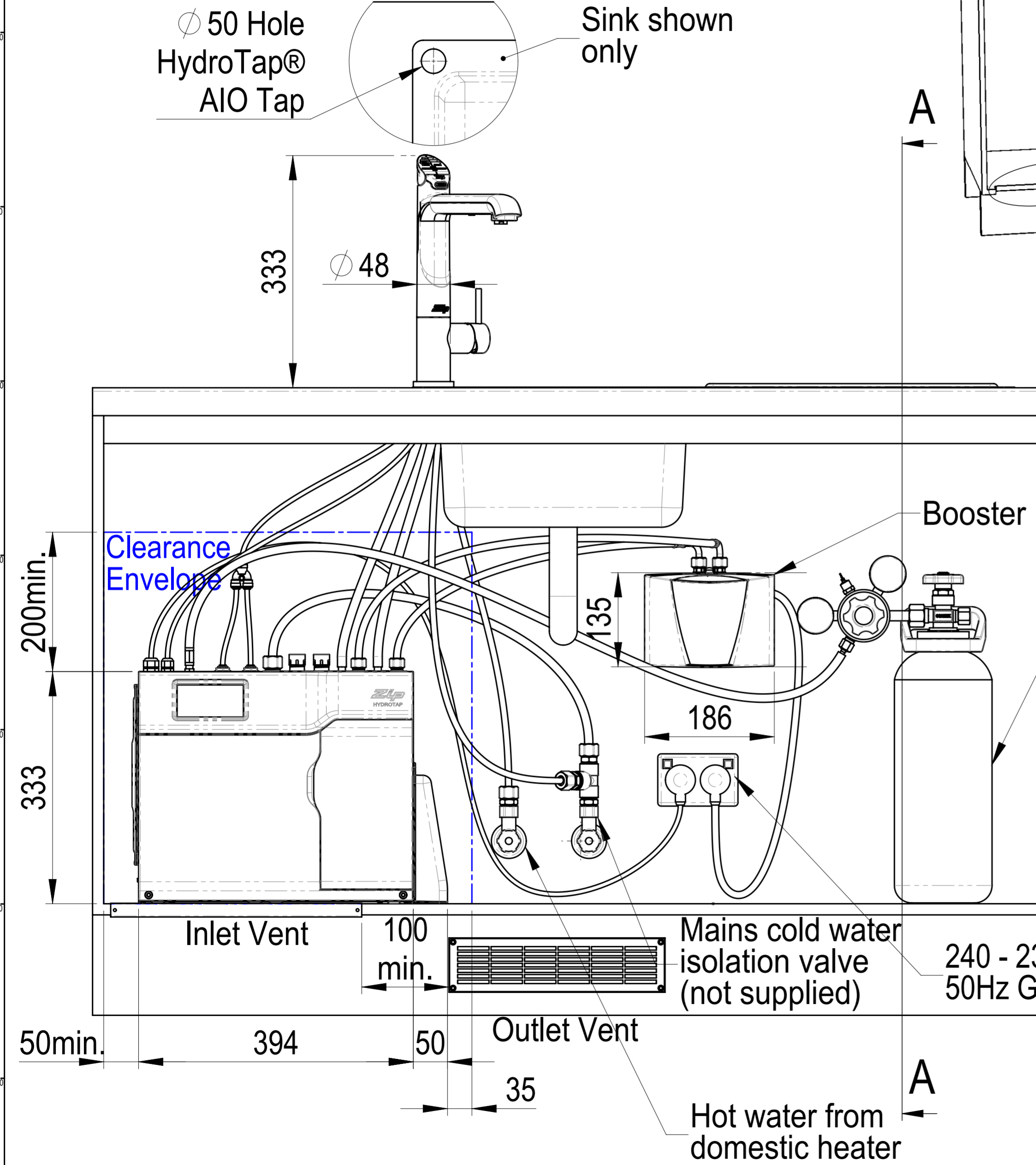


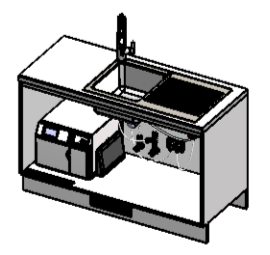
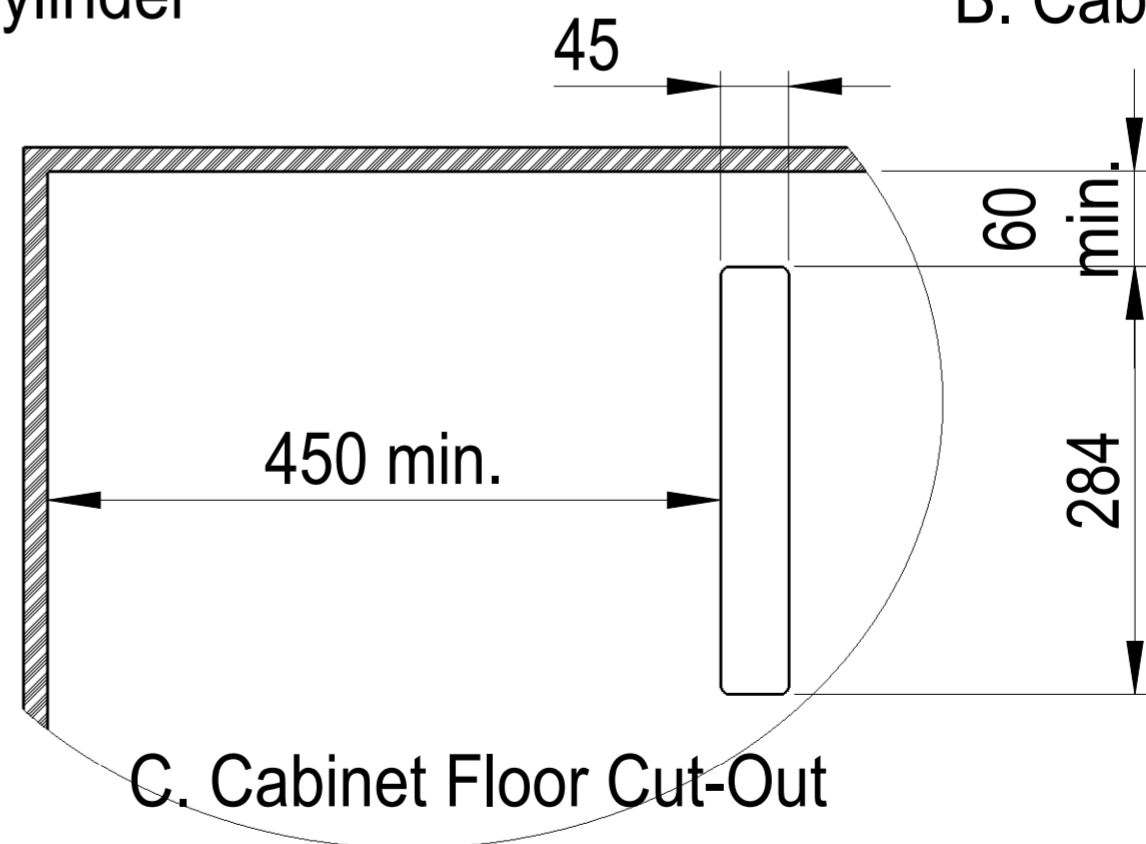
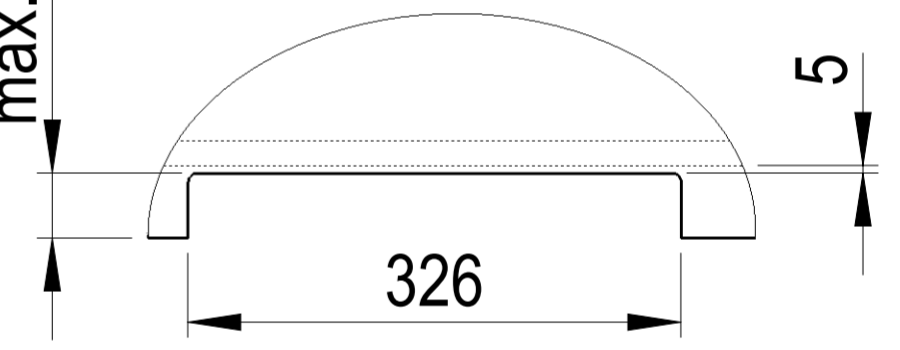
Sheet1 (Default)

Table - Zip BOM (Assembly)

Item	Part	Rev	Description	Config	Status	Default/Qty	Notes
2	5163AU	00	HydroTap G4 AS240/175 Booster	5163AU-AS240_175 MAINS	Design	1	
3	800220	C	Kickboard Fan Grill	Default	Production	1	
4	800221	C	Air Inlet Grill CFF	Default	Production	1	
9	27200	A	Zip HydroTap Booster MBX2 2.2kW 10A 230V	Default	Production	1	
13	84451	A	Tee 1/2" BSP Female (Brass)	Default	Production	1	
18	802239	00	AIO Sparkling Tap G4 Assy (Mains/UnVented)	Default	Design	1	
24	93179	00	Kit CO2 - 2.6kg Gas (new)	Default	Design	1	



DETAIL FONT
SCALE 1 : 4



Configuration : Default

This drawing is CONFIDENTIAL and is supplied on the express condition that it shall not be LOANED, COPIED or DISCLOSED to any other third party or used for any purpose without the written consent of Zip Industries Pty Ltd. If this document is printed in hardcopy form, it is for INFORMATION ONLY and therefore not subject to updating controls. For the current revision ALWAYS refer to the NATIVE electronic form as stated in the top left-hand corner of this sheet. © copyright Zip Industries Pty Ltd, 16/05/2011

Manufacturing Instructions		Approved by : Unapproved on 1/03/2011	Description : All-in-One BCSHA 240/175 Mains Sparkling HydroTap G4 w/ Booster	
Make or Buy : Buy	Checked by : Unchecked on 1/01/2001	Updated by : edgarg on 2/10/2014 4:01:28 PM	Project : HydroTap Gen IV®	Configuration : Default
Raw material : See Components	Material : See Components	Model : KL002_5153AU0A4ZN1C	Created by & on : EdgarG on 4/05/2011	Rev : 00
Remove all sharp edges. This drawing ONLY details information which cannot be ascertained from the 3D geometry of the parts attached. Model & dimensions are AFTER all finishing operations.	Finish : Finish	Drawing : KL002_5153AU0A4ZN1C	Engineer on 16/05/2011	Size : A2
Volume (mm³) : 82669.9	Area (mm²) : 141468.1	Derived from : New	Colour : Colourless	Status : Production
Mass (kg) : 94377.9	Density (g/mm³) : 1.1	Scale : 1:1	Sheet : 1 of 1	Custom Property

WMKA 00099; CS8328
 Watermark Exp: 26-10-2017; CS Exp: 18-8-2014