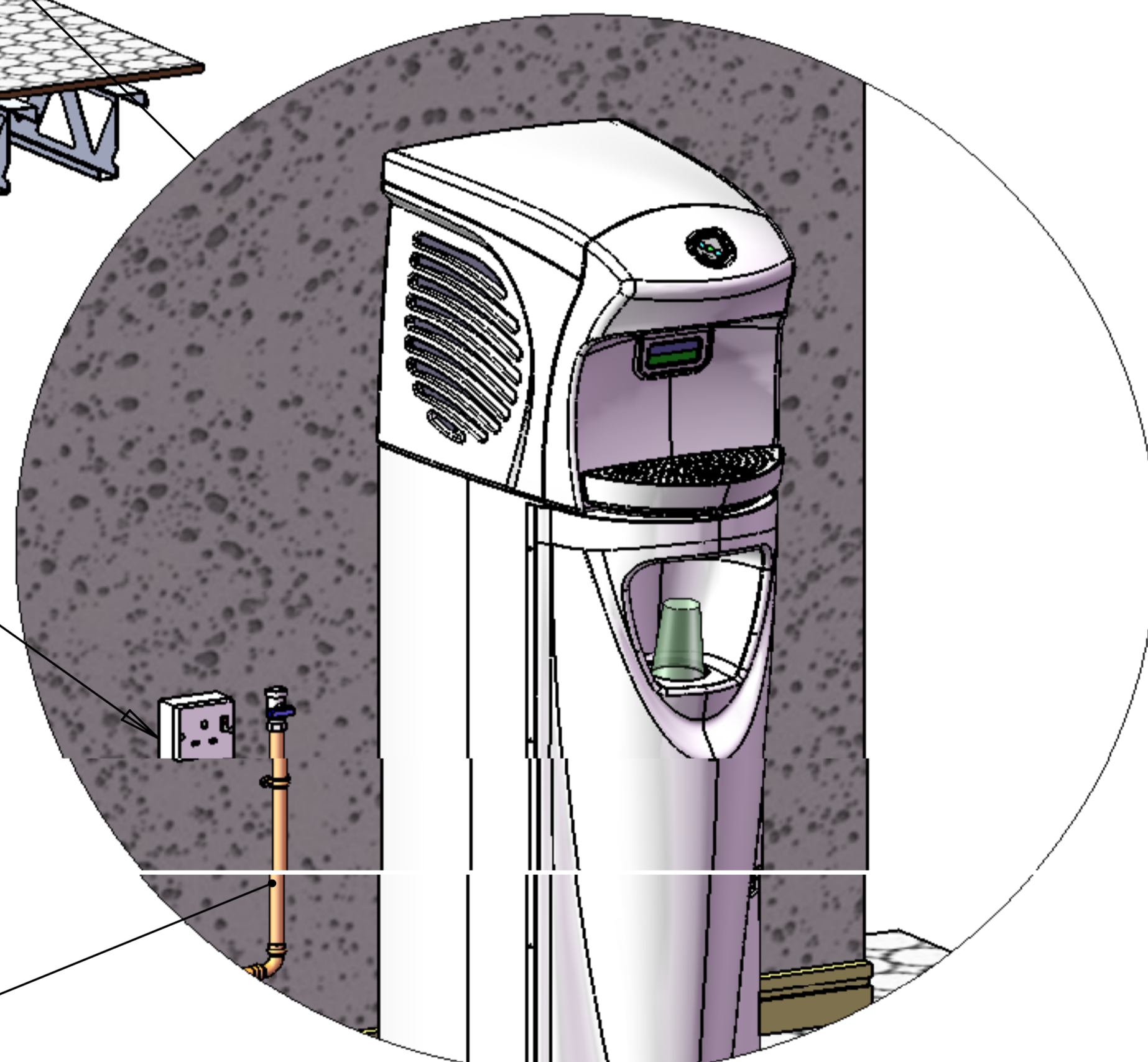
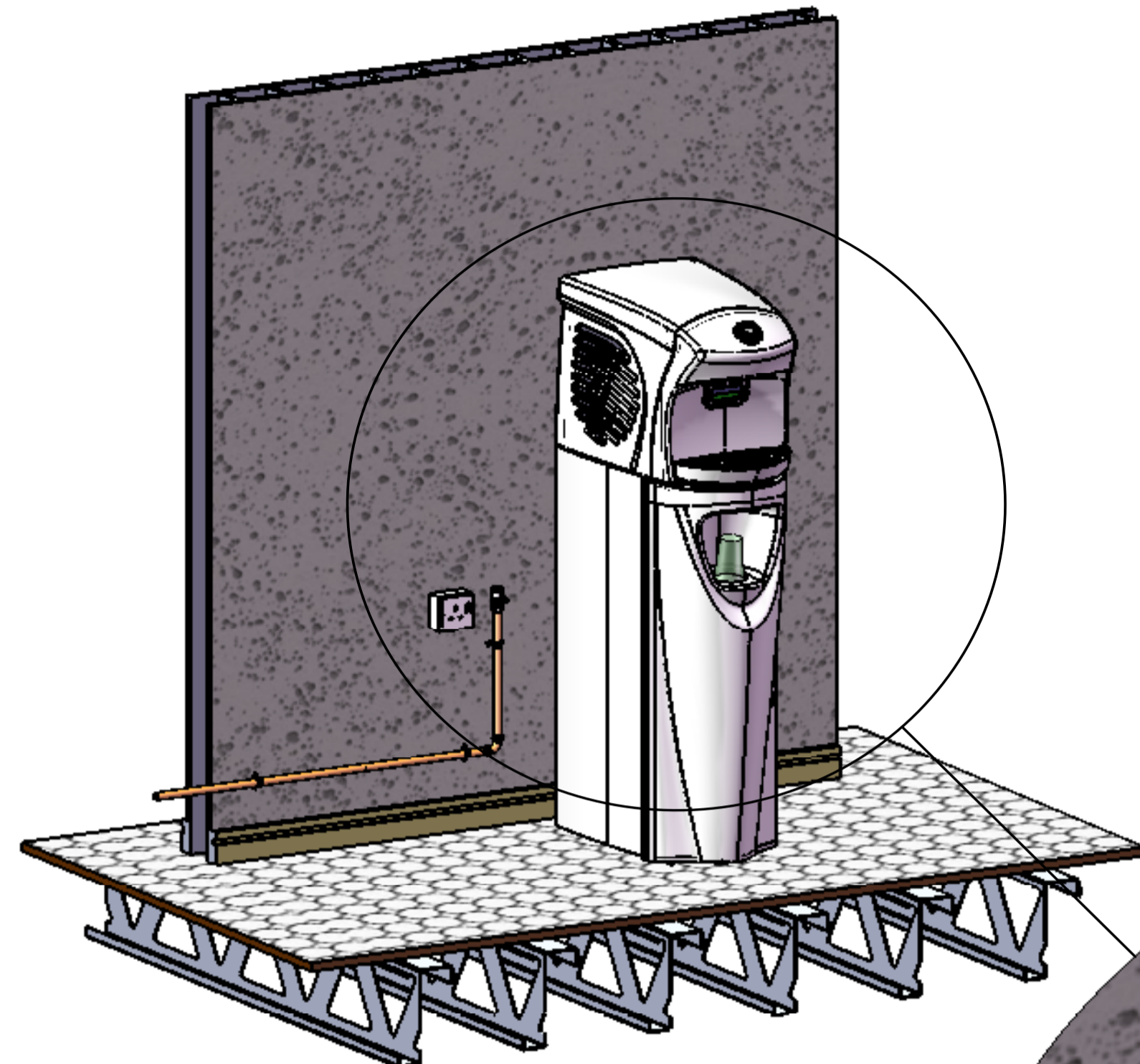
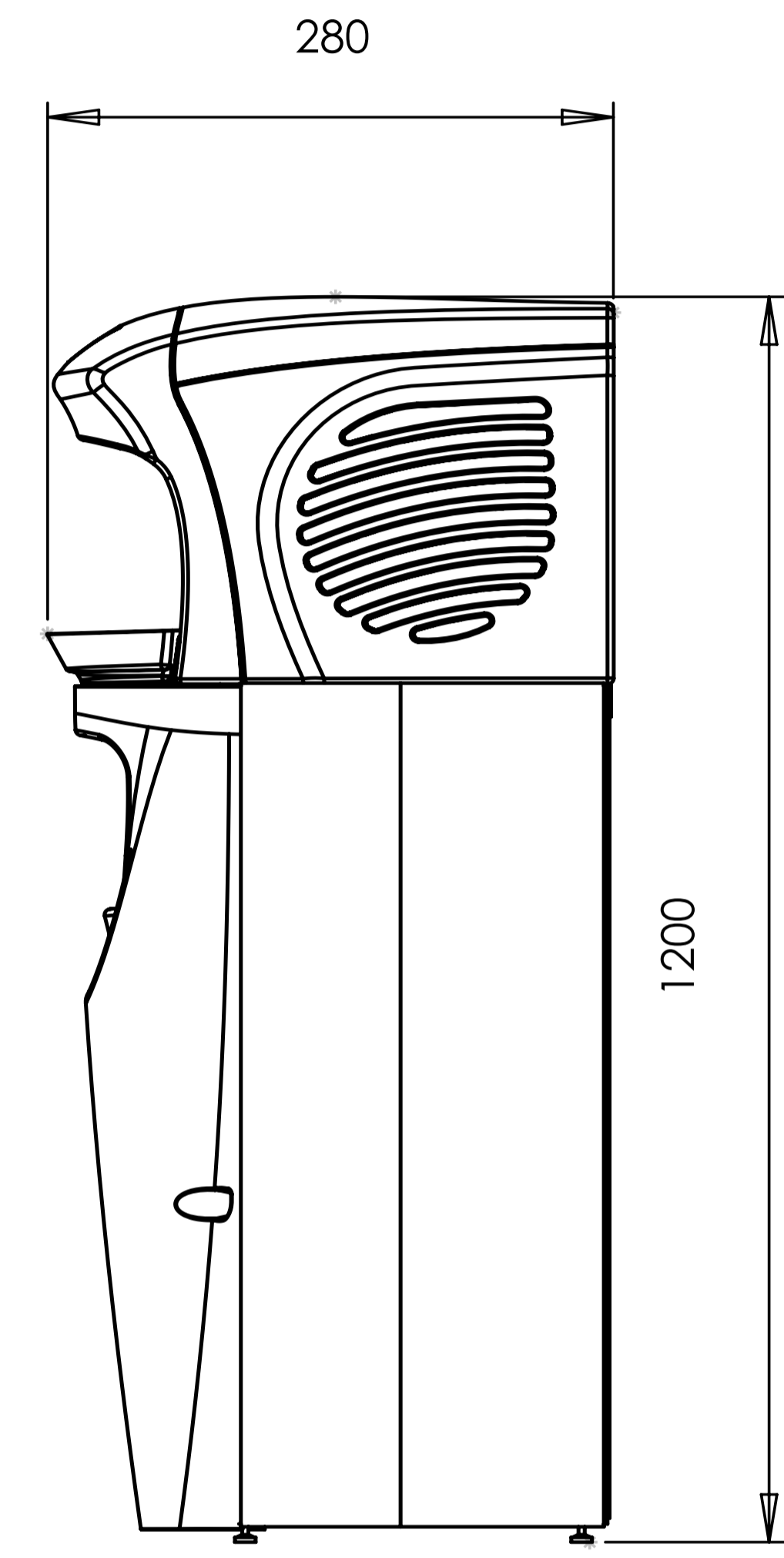
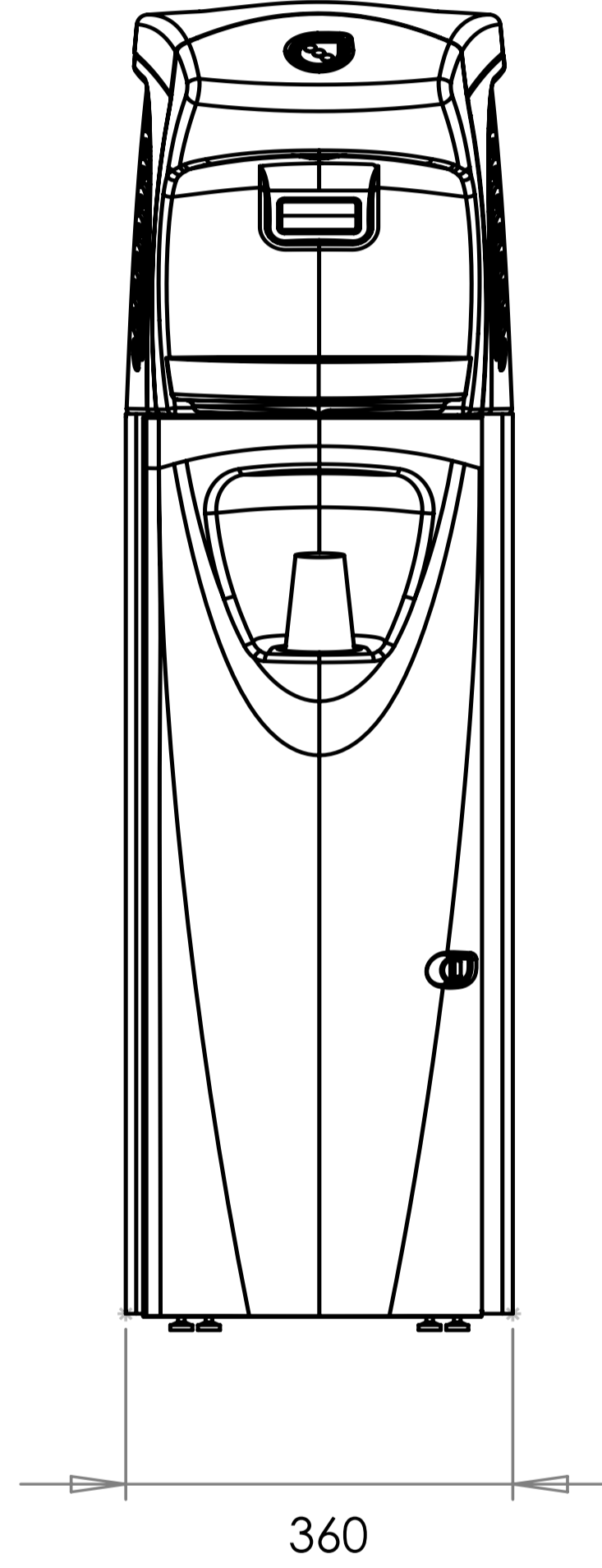


Item	Part	Rev	Description	Config	Status	Default/Qty	Notes
1			Чашер и Карбонистор	Default	Production	1	
2			Бойлер	Default	Production	1	
3			Фильтры для воды Hot/Walky	Default	Production	2	
4			Корпус/оболочка/каркас/каркас Газовоздушная Carle Asset	Default	Production	1	
5			Регулятор JG	Default	Production	1	
6			Баллон CO2 - 5 л. Gas-Regulator+Staps	Default	Production	1	



Single Switched 13A Socket (mount to left or right hand side, outside the width of the unit)

Mains Water Supply (terminate in a 15mm shut-off valve, 400mm above the floor)



**CARLE LTD** CARLE  
 Smolensky Passage  
 Smolenskaya square, 3  
 Moscow  
 121099  
 Russia  
 www.carle.ru  
 carle@carle.ru

This drawing is CONFIDENTIAL, and is supplied on the express condition that it shall not be LOANED, COPIED or DISCLOSED to any other third party or used for any purpose without the written consent of Carle Industries Ltd. If this document is printed in hardcopy form, it is for INFORMATION ONLY and therefore not subject to updating controls. For the current revision ALWAYS refer to the MATRIC approval form as stated in the top left hand corner of this sheet. © copyright Carle Industries Ltd. 22/11/2014

<b>Manufacturing Instructions</b>		Approved by: 22/11/2014	Description: Система очистки воды Carle Asset
Make of Buy: Buy	Manufacturing Route: Manufacturing Process	Checked by: 22/11/2014	Updated by: CWS on 22/11/2014 17:07:00 PM
Raw material: See Components	Material: See Components	Project: Carle Asset B	Configuration: Default
Remove all sharp edges. This drawing ONLY details information which cannot be ascertained from the 3D geometry of the part(s) attached. Model & dimensions are AFTER all finishing operations.	Finish: Finish	Model: Asset HCS	Created by & on: CWS on 22/11/2014
Volume: 1.000	Area: 1.000	Derived from: New	Colour: Colourless
Mass: 1.000	Density: 1.000	Scale: 1:1	Sheet: 1 of 1
Probable? NO	Recyclable? NO	Handled? NO	Status: Prototype
Drawing Property		Config Property	Custom Property